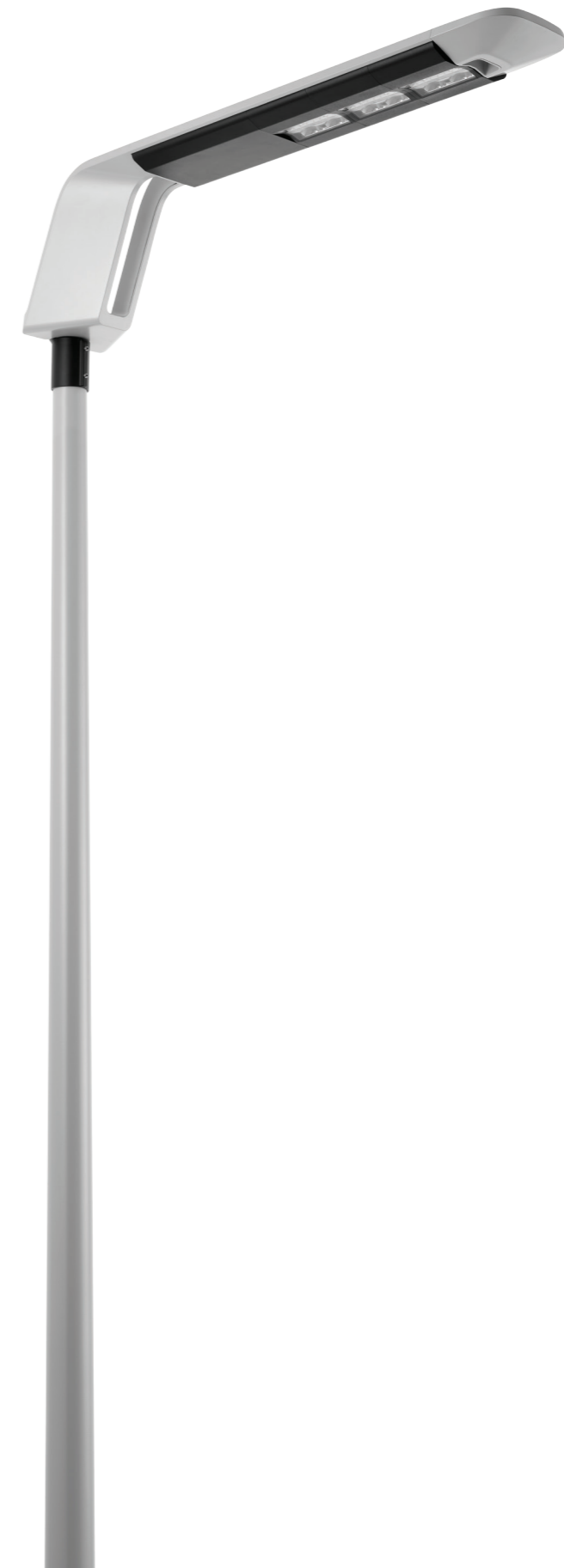


L&C LUMINAIRE

LUMINAIRE THAT SHAPES THE FUTURE



L&C luminaire complements electrical charging stations while offering optimal light distribution along with unique sensors.



L&C LUMINAIRE TECHNICAL SPECIFICATIONS

GENERAL HIGHLIGHTS

- Equipped with Heper's LC LED Module
- Optimized street and road lighting distribution
- Operating Temperature -40°C / +55°C
- Superior thermal management with upward aligned LED chips
- Easy installation and maintenance with modular structure
- Direct pole or side bracket mountable
- IP rated terminal box
- Tilt angle: +15° / -15°
- In compliance with EN 60598, EN 62722
- UL certified, ENEC pending

ELECTRICAL PROPERTIES

- Drive current: 700mA, 350mA (optional), 525mA (optional)
- Optimized PCB - Design; aluminum PCB or FR - 4 PCB with touchdown technology
- Insulation class: CLASS I, CLASS II (optional)
- Energy class: A+
- Power factor: > 0.95
- Input Voltage: 220V - 240V, 120V - 277V (optional) at 50Hz / 60Hz
- Control type: On/Off, 1-10V (optional), DALI (optional)
- Surge Protection: 10kV (optional)

OPTICAL PROPERTIES

- Equipped with Heper's LC LED Module
- Indirect lighting with reflector technology
- Homogenous lighting distribution through multifaceted reflectors
- Full cut-off wide light distribution
- Superior glare management with hidden light source
- Extreme high power multi LED chips
- MacAdam Ellipse 3
- Lumen output (absolute photometry): 3500lm - 16000lm
- Color temperature: 3000K, 4000K, 2700K (optional)
- CRI > 70 (4000K), CRI > 80 (3000K)
- Lumen depreciation: L90B50 > 118000h
- Photobiological safety: Risk Group 0
- BUG Rating: B2 - U0 - G1
- Efficacy (absolute photometry): 114 lm/W (4000K at 700mA)
- ULOR: 0%

BODY HOUSING & FINISH

- Corrosion resistant aluminum housing
- Electrostatic powder coating (RAL9006)
- Ingress protection: IP66
- Impact protection: IK08

EXTRAS

- Nema Socket
- Radar Module
- Higher CRI LED Chips
- Constant Light Output (CLO)
- Marine grade body
- Back light shield

EXTRAS - SENSORS & CONNECTIVITY

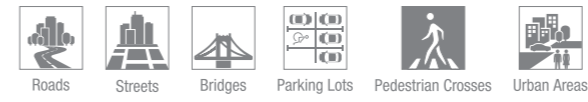
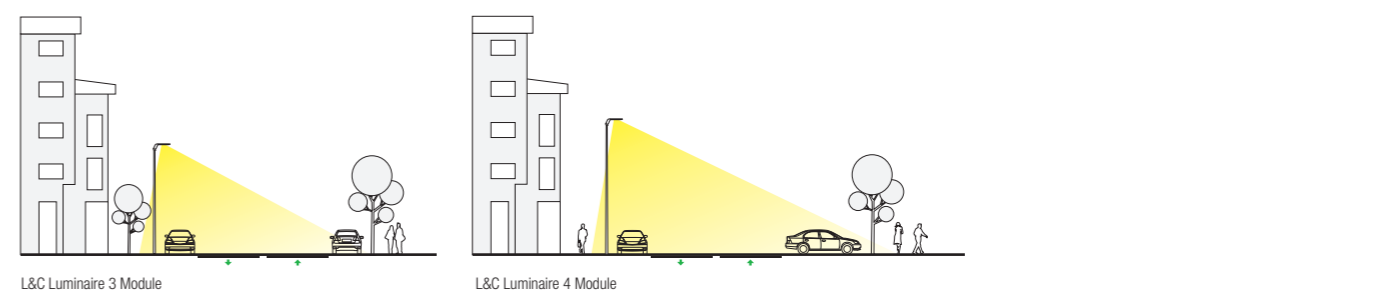
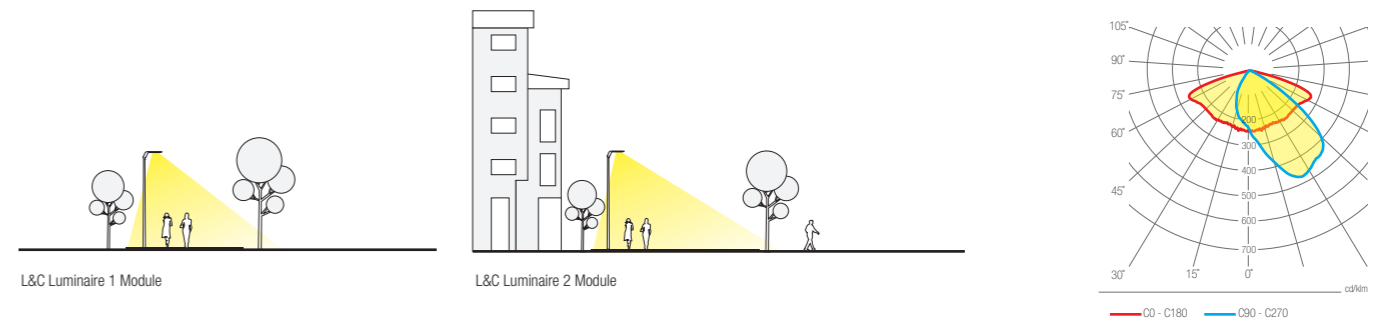
- Motion detection
- Speed detection
- Constant Light Output (CLO)
- LTE connectivity
- Air monitoring
- Park space marking



• Radar Module



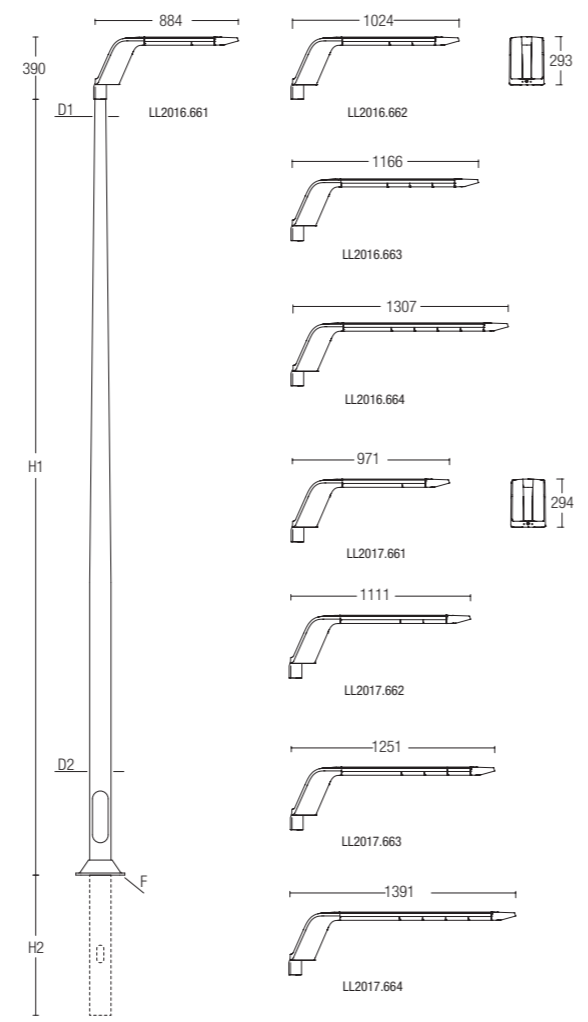
Source: Eluminocity GmbH
Copyright: BMW Group



LUMINAIRE				
CODE	DESCRIPTION	POWER (700 mA)	LUMEN	COLOR TEMPERATURE
LL2016.661	L&C Luminaire 1 Module	35W	3500lm - 4000lm	3000K / 4000K
LL2016.662	L&C Luminaire 2 Module	70W	7000lm - 8000lm	3000K / 4000K
LL2016.663	L&C Luminaire 3 Module	105W	10500lm - 12000lm	3000K / 4000K
LL2016.664	L&C Luminaire 4 Module	140W	14000lm - 16000lm	3000K / 4000K

LUMINAIRE SENSORS & CONNECTIVITY				
CODE	DESCRIPTION	POWER (700 mA)	LUMEN	COLOR TEMPERATURE
LL2017.661	L&C Luminaire 1 Module	35W	3500lm - 4000lm	3000K / 4000K
LL2017.662	L&C Luminaire 2 Module	70W	7000lm - 8000lm	3000K / 4000K
LL2017.663	L&C Luminaire 3 Module	105W	10500lm - 12000lm	3000K / 4000K
LL2017.664	L&C Luminaire 4 Module	140W	14000lm - 16000lm	3000K / 4000K

POLES							
CODE	DESCRIPTION	H1	H2	D1	D2	ANCHORAGE	FLANGE COVER
PAFK.D114	Aluminum Conical Pole Flanged	4000	-	Ø60	Ø114	90BJ002	C1D2B
PABK.D114	Aluminum Conical Pole Buried	4000	800	Ø60	Ø114	-	-
PAFK.D122	Aluminum Conical Pole Flanged	5000	-	Ø60	Ø122	90BJ004	C1D2B
PABK.D122	Aluminum Conical Pole Buried	5000	800	Ø60	Ø122	-	-
PAFK.D122	Aluminum Conical Pole Flanged	6000	-	Ø60	Ø122	90BJ004	C1D2B
PABK.D122	Aluminum Conical Pole Buried	6000	1000	Ø60	Ø122	-	-
PAFK.D148	Aluminum Conical Pole Flanged	6000	-	Ø60	Ø148	90CJ005	C1F2C
PABK.D148	Aluminum Conical Pole Buried	6000	1000	Ø60	Ø148	-	-
PAFK.D165	Aluminum Conical Pole Flanged	8000	-	Ø60	Ø165	90CJ006	C1G2C
PABK.D165	Aluminum Conical Pole Buried	8000	1200	Ø60	Ø165	-	-





Source: Eluminocity GmbH
Copyright: BMW Group